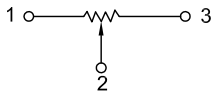


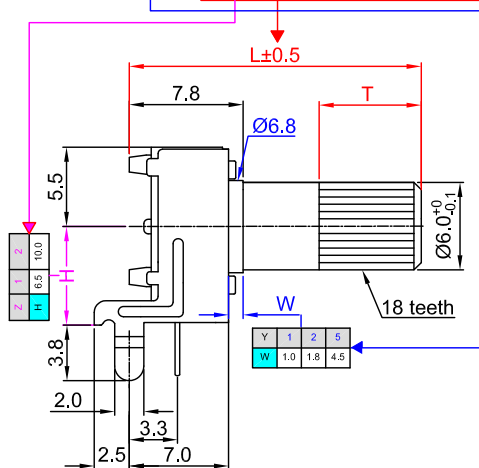
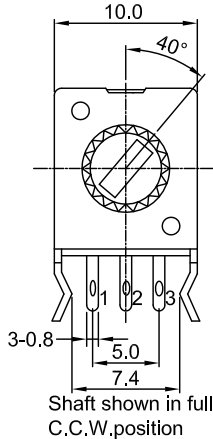
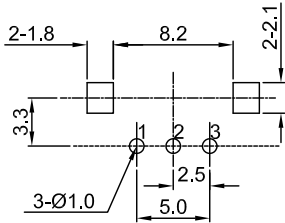
9mm common drawing

Model No. R090yN-xAz- taper value

接线图
Circuit explanation



安装孔位置图
P.C.B. mounting hole detail



Shaft shown in full C.C.W. position

F type

X	P	Q	R	S
L	15	20	25	30
T	6	7	12	12

Shaft shown in full C.C.W. position

Y type

X	J	K	L	M	E
L	15	20	25	30	35
T	7	7	7	7	12

Shaft shown in full C.C.W. position

K type

X	0	1	2	3	4
L	15	20	25	30	35
T	7	7	7	12	12

Shaft shown in full C.C.W. position

T type

X	G	H	T	F
L	15	20	25	30
T	7	7	12	12

Shaft shown in full C.C.W. position

W

Y	1	2	5
W	1.0	1.8	4.5



9 mm Rotary Series Potentiometers Specifications

1.電氣性能 (Electrical Characteristics)		
1.1	全阻抗值 (Total Resistance)	1KΩ ~ 2MΩ
1.2	全阻抗值允許偏差 (Total Resistance Tolerance)	±20% (More than 1 M Ω ±30%)
1.3	電阻隨溫度變化特性 Resistance of temperature change character)	20℃-75℃:ΔR/R≤±5%, -25℃-20℃:ΔR/R≤±4.5%
1.4	阻值變化特性 (Resistance Taper)	A, B , C, W
1.5	零位阻值 (Residual Resistance)	R>250KΩ / 0.1 % max. of total Value 250KΩ>R>10KΩ / 20Ω max. 10KΩ>R / 10Ω max.
1.6	額定功率 (Rated Power)	Linear Taper B: 0.05W Other Taper:0.025W
1.7	最高使用電壓 (Max.Operating Voltage)	50V AC
1.8	動雜音 (Rotational Noise)	Less Than 100mV
1.9	絕緣阻抗 (Insulation Resistance)	More than 100MΩ at DC 250V
1.10	耐電壓 (Withstand Voltage)	For 1 minute at: AC 250V
1.11	開關額定功率(Switch Rated Power)	-----
1.12	同步誤差 (Gang Error)	-----
2.機械性能 (Mechanical Characteristics)		
2.1	全回轉角度 (Rotation Angle)	280°±5°
2.2	旋轉力矩 (Rotation Torque)	10~200gf.cm
2.3	軸的拉、押強度 (Pull-Push Strength)	4 Kgf.cm
2.4	轉動止檔強度 (Rotational Stop-End Torque)	3 kgf.cm Min
2.5	軸摆动(Shaft wobble)	0.8*L/30mm p-p以下(L:指安裝平面到軸的柄端的距離)
2.6	軸的回轉方向摆动(Shaft play in rotational wobble)	5°以下
2.7	旋轉定位數目 (Number of Detents(click))	detent: 0, 0r 1 centre click
2.8	焊錫耐熱性 (Resistance To Soldering Heat)	260±5℃ and less than 3 seconds
3.耐久性能 (Durability)		
3.1	回轉壽命 (Rotation Life)	10,000 Cycles min.
3.2	工作溫度 (Operating temperature)	-10℃~+70℃
4.1	外形尺寸圖/曲線特性圖 (Shape size drawing/curve characteristic drawing)	見附頁 Please refer the drawing