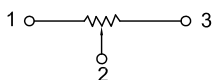


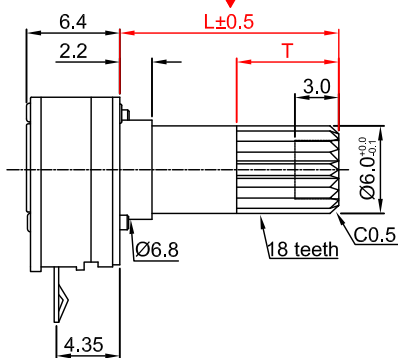
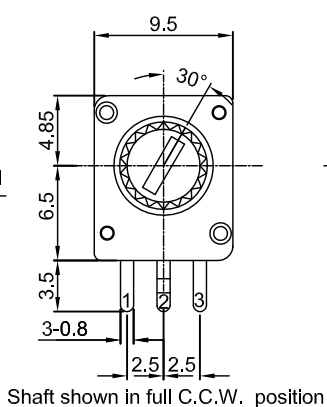
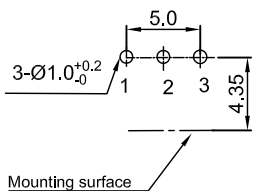
9mm common drawing

Model No. R0911N-xA1- taper value

接线图
Circuit explanation



安装孔位置图
P.C.B. mounting hole detail



Y-Type

X	0	2	4	6
L	10	15	20	25
T	7	7	7	12

T type

X	F	G	H	J
L	10	15	20	25
T	7	7	7	12



YU WAH (D G) CO.,LTD