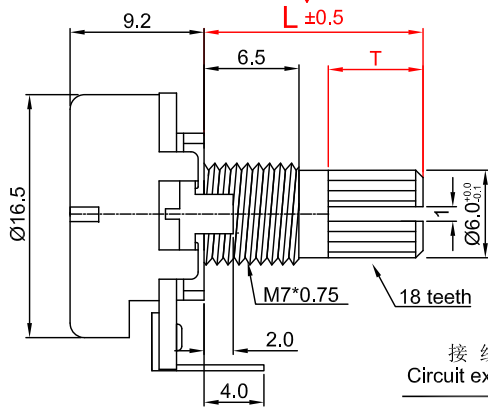
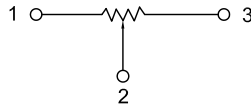


16mm common drawing

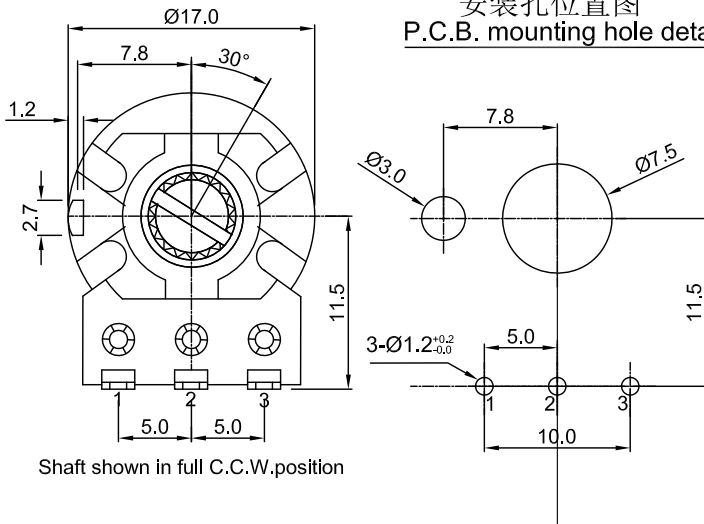
Model No. RD1610N-xC1- taper value



接线图
Circuit explanation



安装孔位置图
P.C.B. mounting hole detail



KQ type (Die-casting Shaft)

W=6.5mm

X	0	1	2	3	4	5	6
L	10	12	15	17	20	25	30
T	1.5	3.5	6.5	8.5	11.5	14	19

F type

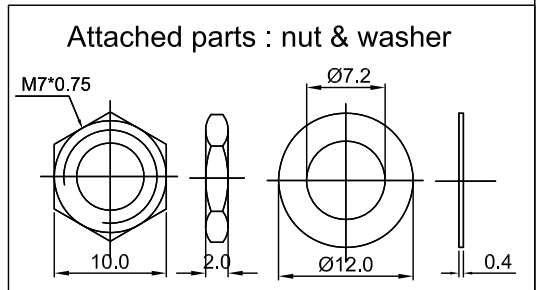
W=6.5mm

X	A	C	D	G	E
L	15	20	25	12	30
F	7	12	12	3.5	12

S type

W=6.5mm

X	P	Q	R	S	T
L	10	15	20	25	30



YU WAH (D G) CO.,LTD