





# Approval Sheet

## 承認書

編號: 0808457

Customer:  
客戶名稱: 港美泰

Our Parts No.  
本公司型號: C0510Q-1V1-B10K

Description:  
產品明細: 直滑式電位器

Pls Sign and fill and Return a copy to us after acceptable this Approval Sheet.  
樣品確認後, 請回簽一份回本公司存檔

(貴公司确认栏)

Approved No: 核准號:	_____
Remarks (備注):	_____
Your Parts No. 貴公司型號:	_____
Your Project No. 貴公司機種:	_____
Reviewed By (核對):	_____
Approval By (核准):	_____
Date (日期):	_____

### Yu Wah (HK) Co

Rm.12, 1/F., Park Fook Ind. Building, 615-617 Tai Nam West St., Cheung Sha Wan, Hong Kong  
Tel : 852-2310 4311      Fax : 2371 3835      e-mail : sales@yuwah-vr.com

### 裕华电子 (深圳) 公司

中国, 深圳市, 布吉罗岗, 白鸽路, 百合星城 D座银都国际大厦六楼J室  
电话: 0755-8996 9403      传真: 0755-8996 9872      电子邮件 : sales-cn@yuwah-vr.com

### 裕华台湾总公司

台湾, 桃园市, 复兴路20-1号9楼  
电话: 8876-3-4837738      传真: 886-3-4837739

### 深圳裕华电子厂

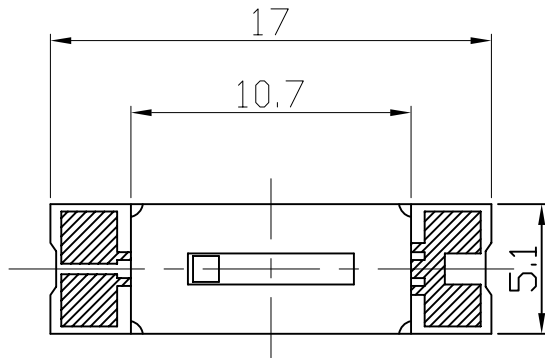
深圳市, 布吉镇, 下水径三街, 宝利源工业区二号厂房

# 一、直滑式電位器系列技術規格書

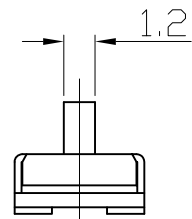
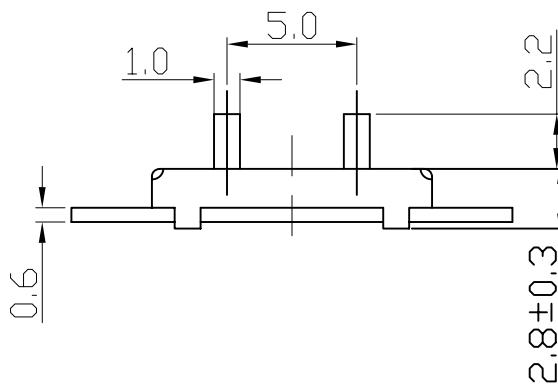
## Slide Potentiometers Technic Specifications

1. 電氣性能 (Electrical Characteristic)					
序号	項目			特性	
1.1	全阻抗值 (Total Resistance)			10KΩ	
1.2	全阻抗值允許偏差 (Total Resistance Tolerance)			± 20%	
1.3	電阻隨溫度變化特性 (Resistance of temperature change character)			20℃-75℃: $\Delta R/R \leq \pm 5\%$ , -25℃-20℃: $\Delta R/R \leq \pm 4.5\%$	
1.4	阻值變化特性 (Resistance Taper)			B	
1.5	零位阻值 (Residual Resistance)			1 And 2 $R \leq 20\Omega$ 2 And 3 $R \leq 20\Omega$	
1.6	額定功率 (Rated Power)			0.01W	
1.7	最高使用電壓 (Max. Operating Voltage)			AC 100V , 10VDC	
1.8	動雜音 (Rotational Noise)			Less than 100mV	
1.9	絕緣阻抗 (Insulation Resistance)			100MΩ	
1.10	耐電壓 (With Stand Voltage)			For 1minute at:500V	
1.11					
2. 機械性能 (Mechanical Characteristics)					
2.2	滑動力矩 (Operating force)			20~200gf. cm	
2.3	柄的拉、押強度 (Pull-Push Strength)			2.5Kgf	
2.4	止檔強度 (Stopper strength)			2.5kgf. cm. max	
2.5	柄的搖動量 (Lever Wobble)			2(2*L)/20mm max, (L=軸長)	
2.6	焊錫耐熱性 (Resistance To Soldering Heat)			$245 \pm 5^\circ\text{C}$ and less than 3 seconds	
3. 耐久性能 (Durability)					
3.1	滑動壽命 (Sliding Life)			10,000Cycles	
4. 外形尺寸圖/曲線特性圖 (Shape size drawing/curve characteristic drawing)				見附頁 (Please see attachment)	
批 准			審 核		
				設 計	

# 外形圖 Mechanical Dimensions

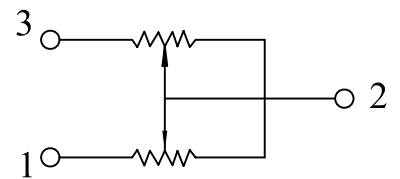
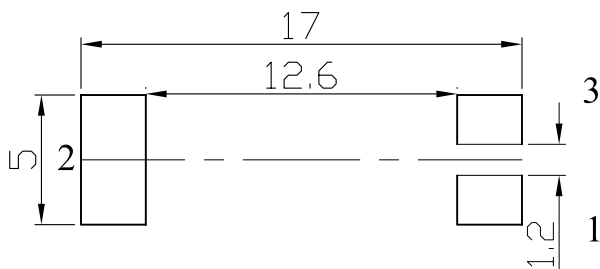


铜箔



安裝孔位置圖  
Mounting Hole

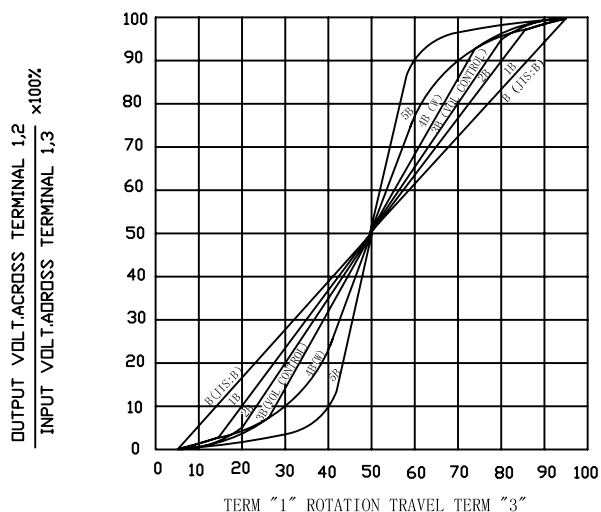
接線圖  
Circuit Explanation



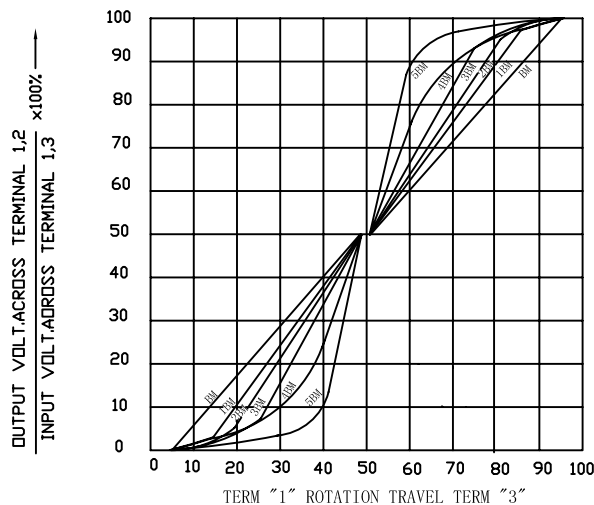
3				PRODUCT NAME	直滑电位器			
2				MODEL NAME	C0510Q-1V1-B10K Ω			
1								
NO	DATE	DESCRIPTION		APPROVED BY	CHECKED BY	DRAWN BY		
		DIMENSION	TOLERANCE	SCALE				
		$l \leq 10$	$\pm 0.2$	UNIT				
		$10 < l \leq 30$	$\pm 0.5$	mm				
		$30 < l \leq 100$	$\pm 1.0$	DATE				
				07/06/07				

# RESISTANCE TAPER

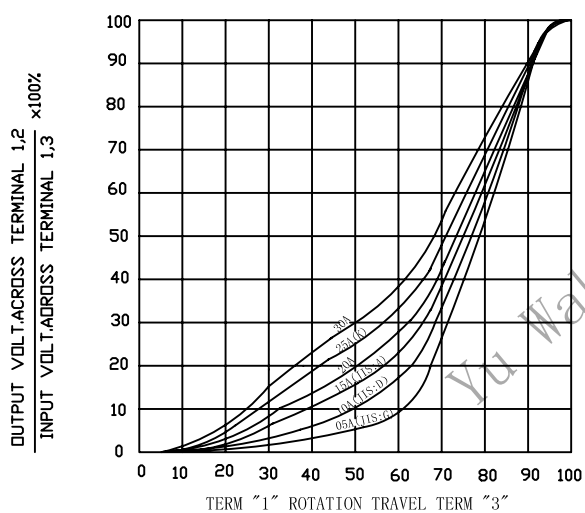
### TAPER B SERIES



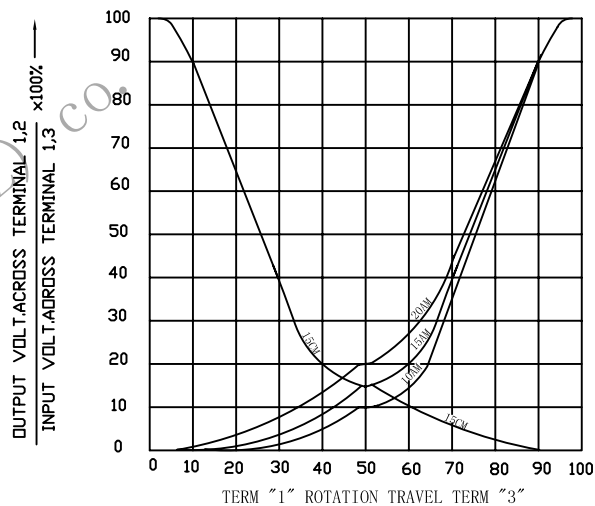
### TAPER B WITH 50% TAP



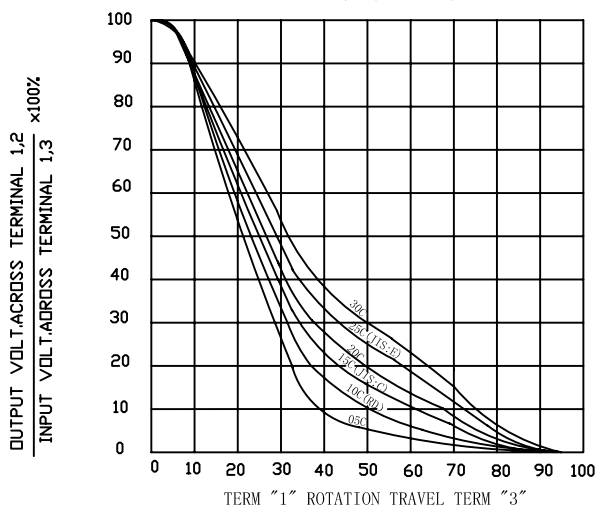
### TAPER A SERIES



### TAPER A & C WITH 50% TAP



### TAPER C SERIES



### TAPER M & N SERIES

