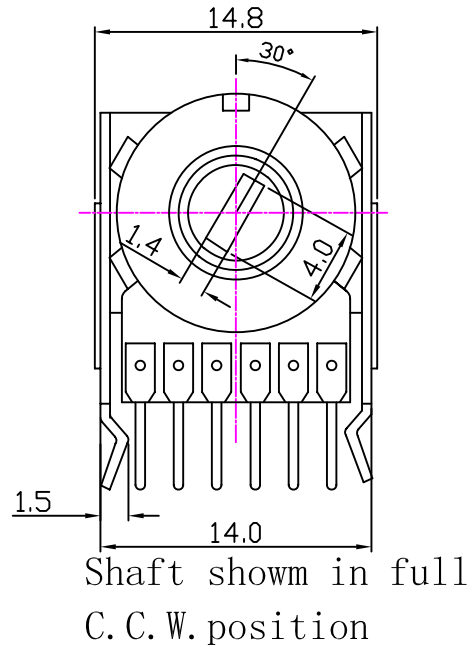
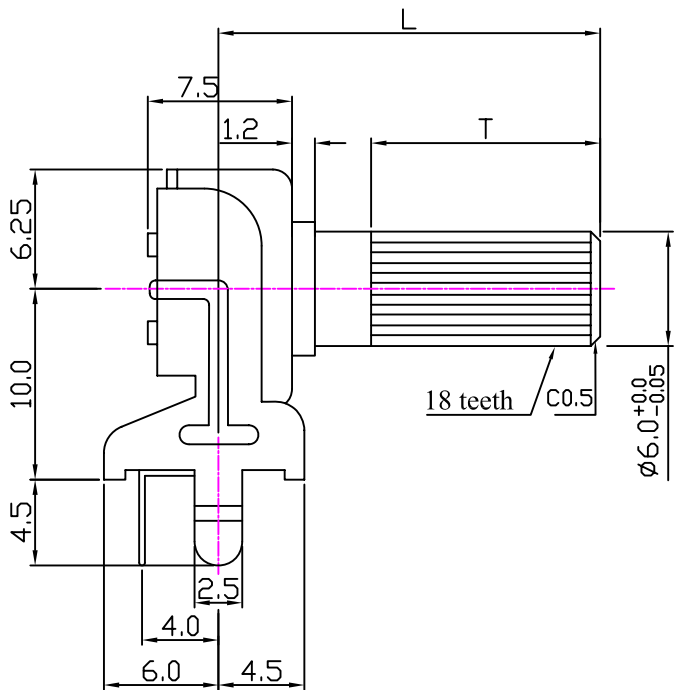


一、旋轉式電位器系列技術規格書

Rotary Series Potentiometers Technic Specifications

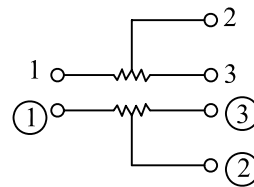
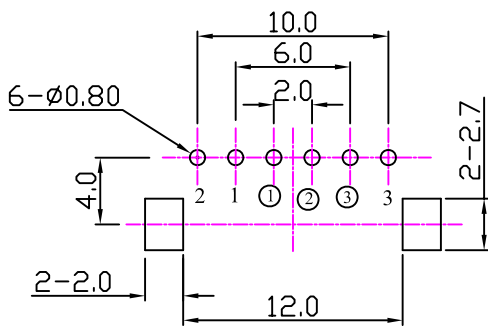
1. 電氣性能 (Electrical Characteristic)					
序号	項目			特性	
1.1	全阻抗值 (Total Resistance)			1KΩ ~ 2MΩ	
1.2	全阻抗值允許偏差 (Total Resistance Tolerance)			± 20%	
1.3	電阻隨溫度變化特性 (Resistance of temperature change character)			20°C ~ 75°C: $\Delta R/R \leq \pm 5\%$, -25°C ~ 20°C: $\Delta R/R \leq \pm 4.5\%$	
1.4	阻值變化特性 (Resistance Taper)			A、B、C	
1.5	零位阻值 (Residual Resistance)			R ≤ 10K 10Ω Max R > 10K 1% Max.	
1.6	額定功率 (Rated Power)			Carbon Film Type 0.05W	
1.7	最高使用電壓 (Max. Operating Voltage)			AC 50V DC 20V	
1.8	動雜音 (Rotational Noise)			Less Than 100mV	
1.9	絕緣阻抗 (Insulation Resistance)			100MΩ	
1.10	耐電壓 (Withstand Voltage)			For 1 minute less than at: AC250V	
1.11	同步誤差 (Gang Error)			0dB ~ -40dB ≤ 3dB	
2. 機械性能 (Mechanical Characteristics)					
2.1	全回轉角度 (Rotation Angle)			300° ± 10°	
2.2	旋轉力矩 (Rotation Torque)			20 ~ 150gf.cm	
2.3	軸的拉、押強度 (Pull-Push Strength)			5Kgf	
2.4	轉動止檔強度 (Rotational Stop-End Torque)			3Kgf.cm. max	
2.5	旋轉定位數目 (Number of Detents(click))			/	
2.6	焊錫耐熱性 (Resistance To Soldering Heat)			260 ± 5°C and less than 3 seconds	
3. 耐久性能 (Durability)					
3.1	回轉壽命 (Rotation Life)			10,000Cycles	
4. 外形尺寸圖/曲線特性圖 (Shape size drawing/curve characteristic drawing)				見附頁 (Please see attachment)	
批 准			審 核		
				設 計	

外形圖
Mechanical Dimensions



安裝孔位置圖
Mounting Hole

接線圖
Circuit Explanation



3				PRODUCT NAME	Rotary potentiometers	
2				MODEL NAME	R1216G- <input type="checkbox"/> A2-Value X	
1				APPROVED BY	CHECKED BY	DRAWN BY
NO	DATE	DESCRIPTION				
		DIMENSION	TOLERANCE	SCALE	3 : 1	
		$l \leq 10$	± 0.2	UNIT	mm	
		$10 < l \leq 30$	± 0.5	VER.		
		$30 < l \leq 100$	± 1.0	DATE		



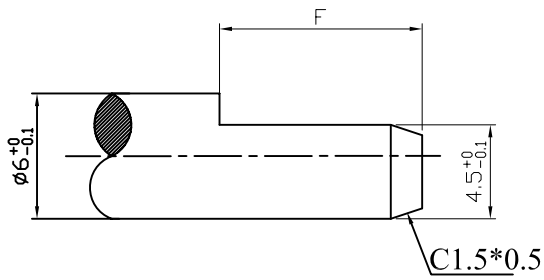
YU WAH (S Z) CO., LTD

R & D
2009.05.12
Jennifer

R & D
2009.05.12
Sophie

R & D
2009.05.12
Sam

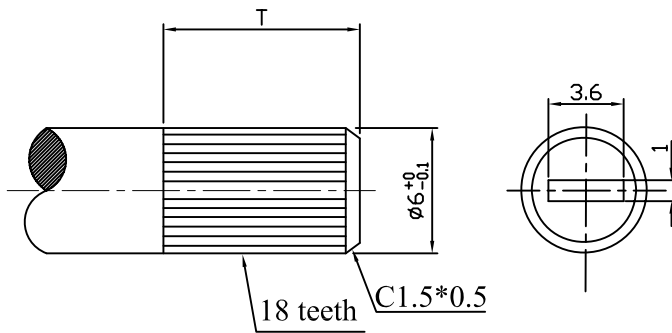
R1216 SERIES SHAFT TYPE



Insulated shaft 绝缘轴

F TYPE:

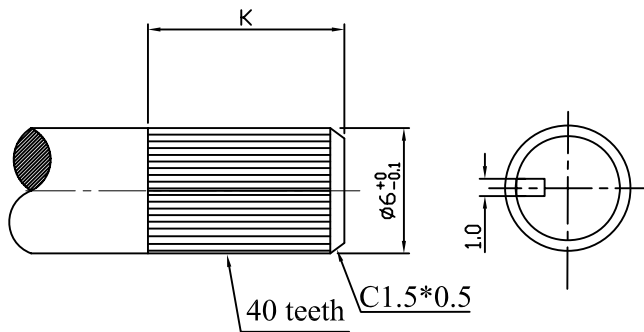
X	0	1	2	3	4	7
L	10	15	20	25	30	12
F	4.85	7.0	12	12	12	7



Insulated shaft 绝缘轴

T TYPE:

X	A	B	C	D		
L	25	20	15	10		
T	12	12	7	5		



Insulated shaft 绝缘轴

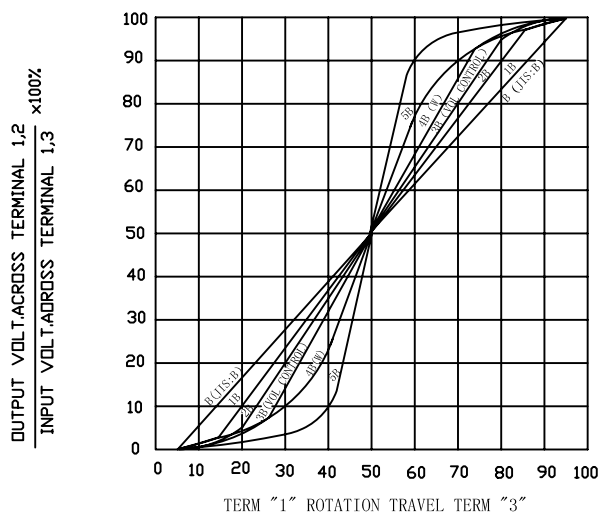
K TYPE:

X	N	O	P	R		
L	15	20	25	36		
K	7	12	12	12		

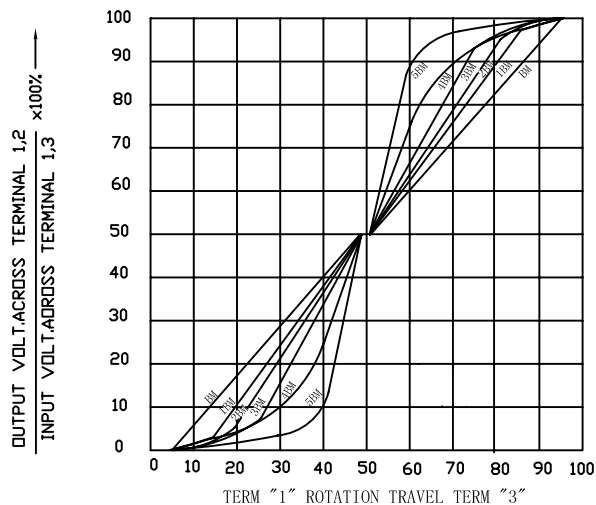


RESISTANCE TAPER

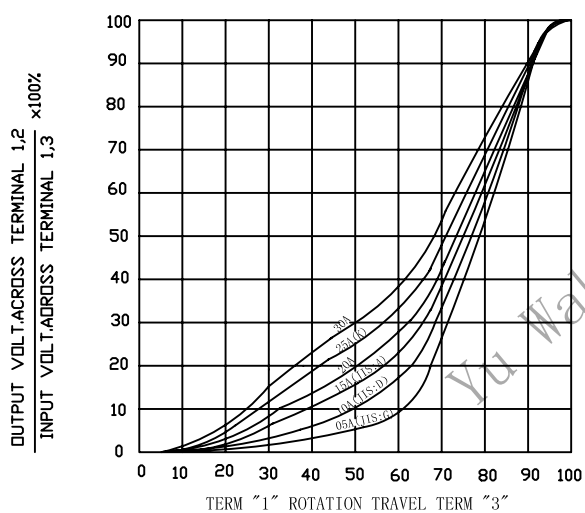
TAPER B SERIES



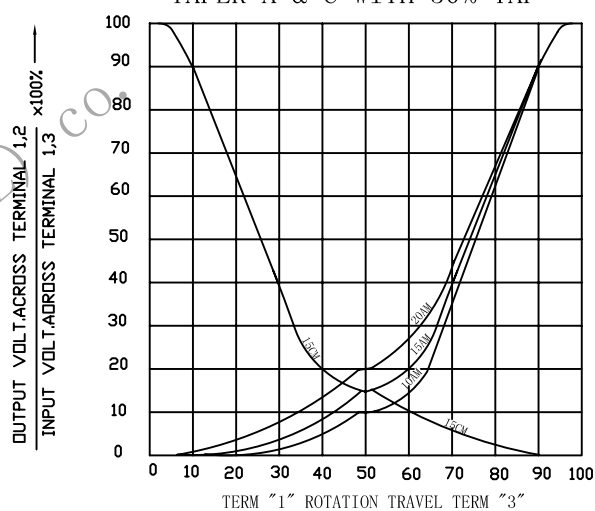
TAPER B WITH 50% TAP



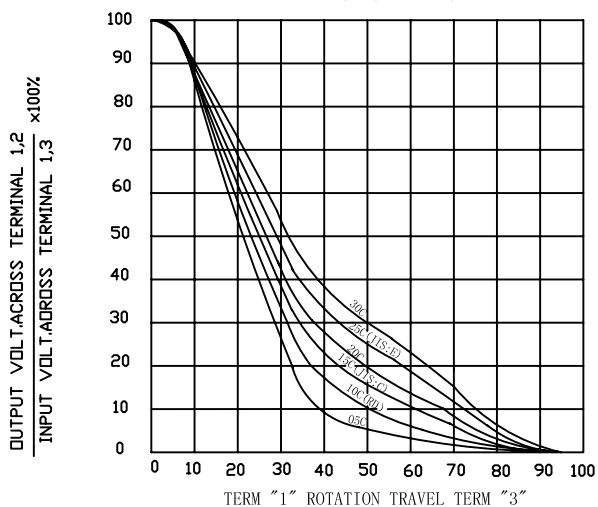
TAPER A SERIES



TAPER A & C WITH 50% TAP



TAPER C SERIES



TAPER M & N SERIES

